



TRO
CEL
LEN

INSULATION

OTHER USES

Multifunctional technical foam

Construction



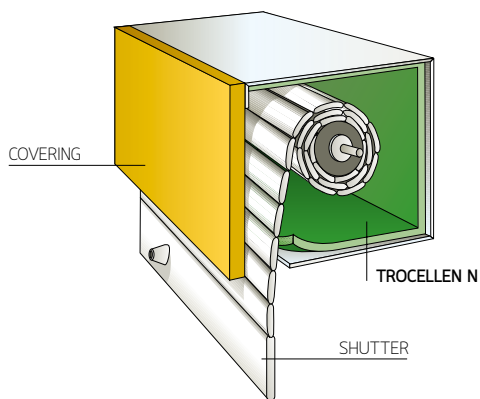
Other Uses

TROCELLEN

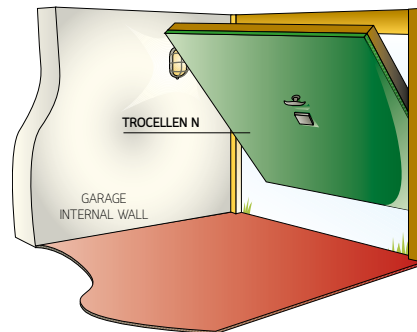
Physically and chemically cross linked polyolefin polymer based multifunctional technical foam - the ideal solution for many common heat and sound insulation problems.

TROCELLEN N

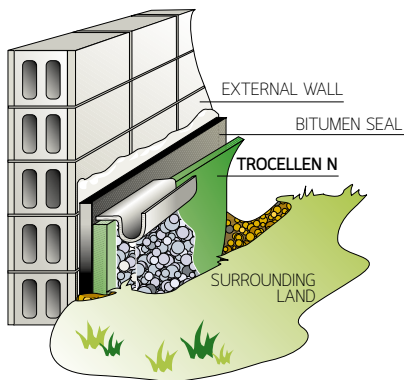
- for insulating shutter systems
- for insulating garage doors
- for protecting bitumen seals in walls below ground level
- uncoupling tape for plasterboard walls (TROCELLEN VN also usable)
- seals for insulated metal panels (TROCELLEN VN also usable)
- expansion joint filler for highways and walkways (TROCELLEN VN also usable)



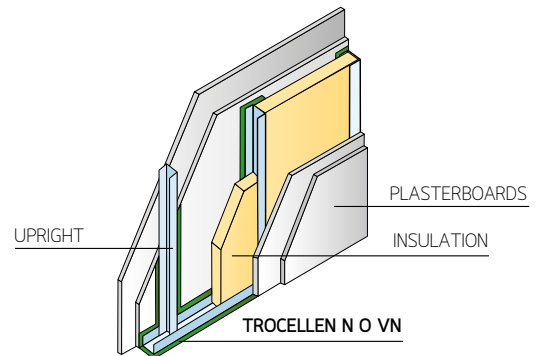
Insulation shutter systems



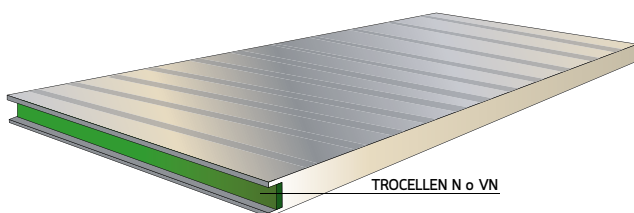
Insulation garage doors



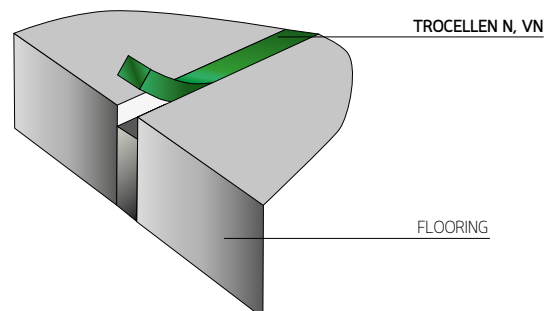
Insulation for bitumen seals for walls below ground level



Uncoupling tape for plasterboard walls



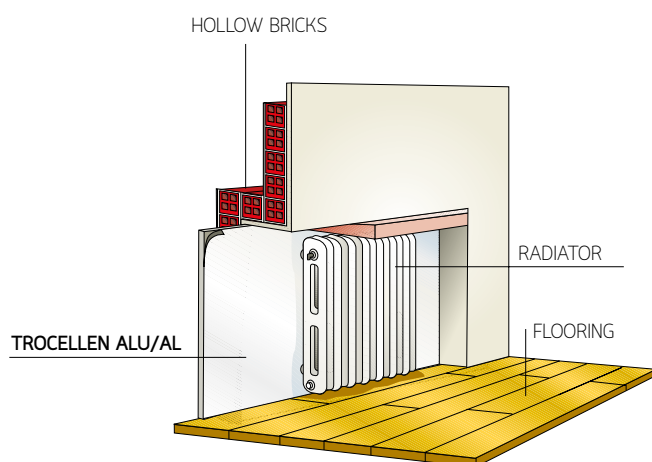
Seals for insulated metal panels



Expansion joint filler for highways and walkways

TROCELLEN N

USES	DENSITY KG/M ³	THICKNESS MM
Insulation shutter systems	30	3-5-10
Insulation garage doors	30	5-10-20
Insulation for bitumen seals for walls below ground level	>60	3-5
Uncoupling tape for plasterboard walls	30	3
Seals for insulated metal panels	30	3-5-10
Expansion joint filler for highways and walkways	30	10



TROCELLEN AL/ALU
For insulating wall-mounted radiators (heat mirror)



TECHNICAL DATA

TECHNICAL CHARACTERISTICS	NORM	UNIT	TROCELLEN N	TROCELLEN AL	TROCELLEN ALU	TROCELLEN VN
Description			Chemically cross-linked polyethylene foam	Chemically cross-linked PE foam bonded with embossed, scratch resistant metallic film (25 µm)	Chemically cross-linked PE foam bonded with embossed, scratch resistant metallic film (25 µm)	Physically cross-linked PE foam
Density	EN ISO 845	kg/m ³	30	30	30	30
Thickness	EN ISO 1923	mm	3 - 5 - 10	3 - 5 - 10	3 - 5 - 10	3 - 5 - 10
Colour	Spec. BASE	-	anthracite	anthracite	anthracite	anthracite
Reaction to fire	UNI 8457 / UNI 9174	-	NA	NA	CLO-2	NA
Compression stress strength at 10%	EN ISO 3386/1	kPa	19	19	19	13
Water vapour diffusion factor (µ-value)	EN 12086 EN ISO 12572	-	≥ 2000	≥ 15000	≥ 65000	≥ 2000
Water absorption after 28 days	ISO 2896	Vol%	<3	<3	<3	<2
Dimensional stability (< 5%)	ISO 2796	°C	100	100	100	95
Thermal conductivity coefficient at 10 °C (λ-value)	EN 12667	W/mK kcal/mh°C	0,0359 0,0309	0,0359 0,0309	0,0359 0,0309	0,0344 0,0296

INTERNATIONAL LOCATIONS

Lead Plant

TROCELLEN Italia S.p.A.

Sales office
Via Dante, 3
20867 Caponago (MB), Italy
Ph. +39 02 959 621
Fax +39 02 959 62 235

TROCELLEN GmbH

Mülheimer Straße 26
53840 Troisdorf, Germany
Ph. +49 2241 2549000
Fax +49 2241 2549099

TROCELLEN Ibérica S.A.

C/Avila, s/n
28804 Alcalá de Henares, Spain
Ph. +34 91 885 55 00
Fax +34 91 885 55 01

Polifoam Plastic Processing Co. Ltd

Táblás u. 32
1097 Budapest, Hungary
Ph. +36 1 347 98 00
Fax +36 1 280 67 08

TROCELLEN S.E.A. Sdn Bhd

Lot 2213, Kg. Batu 9 Kebun Baru,
Jalan Kasawari
42500 Telok Panglima Garang
Selangor Darul Ehsan, Malaysia
Ph. +60 3 3122 1213
Fax +60 3 3122 1211

insulation@trocellen.com

TROCELLEN*

Trocellen is the first choice European polyolefin foam-solution provider. Through continuous innovations and successful partnerships we dedicate ourselves to one goal: protecting and providing comfort for people.

After more than 40 years, with 600 employees at seven sites and many cooperating companies, various partner universities, institutes and designers we offer solutions for our business partners in various industries such as construction and insulation, automotive, leisure and professional sport, adhesive tapes, footwear and packaging.

*Trocellen is the member of Furukawa Group.



FOLLOW US ON
TWITTER



CONTACT US ON
LINKEDIN



www.trocellen.com

Download Trocellen App for free
from the Official Website

50° 49' N	07° 09' O	Germany
40° 28' N	03° 21' O	Spain
41° 53' N	12° 28' O	Italy
47° 30' N	19° 02' O	Hungary
02° 54' N	101° 28' O	Malaysia
35° 40' N	139° 49' O	Japan FURUKAWA

